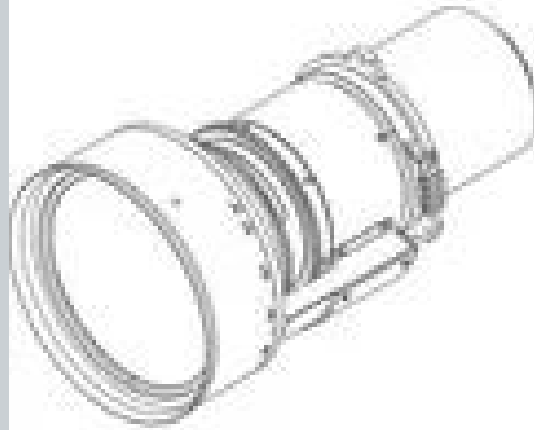


GC+ LENS (1.2 - 1.5 : 1)



Product specifications**GC+ LENS (1.2 - 1.5 : 1)**

General specifications	
Lens type	GC+ LENS (1.2 -1.5 : 1)
Throw Ratio	1.2 -1.5 : 1
Working F/#	2.2 (wide) -2.6 (tele)
Zoom ratio	1.25x
Focal length	25.5 -31.8 mm
Focus Range	50" -500"
Throw distance	1.34 -16.69 m
Weight	Net: 3 kg Gross: 5.6 kg
Motorized Zoom	Yes
Motorized Focus	Yes

Last updated: 28 Apr 2023

© 2018 Barco nv. All rights reserved. Reproduction in whole or in part without written permission is prohibited. All brand names and product names are trademarks, registered trademarks or tradenames of their respective holders. Due to continued innovation, information and technical specifications are subject to change without prior notice. Please check www.barco.com for the latest specifications.