



Barco UniSee / Vogel's Solution overview

March 2018



Barco UniSee add-on's – Mounting structures



UniSee Mount

M10 connector will be added to UniSee mount package

Standard Vogel's product

- Adapted to Barco UniSee
- To be bought by the integrator @ Vogel's distributors

Installation	Description	Max number of rows	
		Landscape	Portrait
Ceiling	Fixation only on ceiling	4	2
Fixed to the floor	Fixation only on floor	4	2
Ceiling to wall	Connection both on ceiling and floor	4	4
Floor to wall	Connection both on floor and wall	8	4
Floor to ceiling	No connection to the wall	8	4
Stand	Non permanent, not fixed to the floor	3	2
Trolley	Non permanent, not fixed to the floor	3 (3 columns)	2 (3 columns)

- **Released in the field by end of Q1/2018**
- Preliminary projects can be served
- Next step: Curved solution → Target release end of Q2/2018

Universal video wall mounting solutions



Wall flat



Stand and Trolley*



Floor*



Floor to ceiling*



Ceiling*



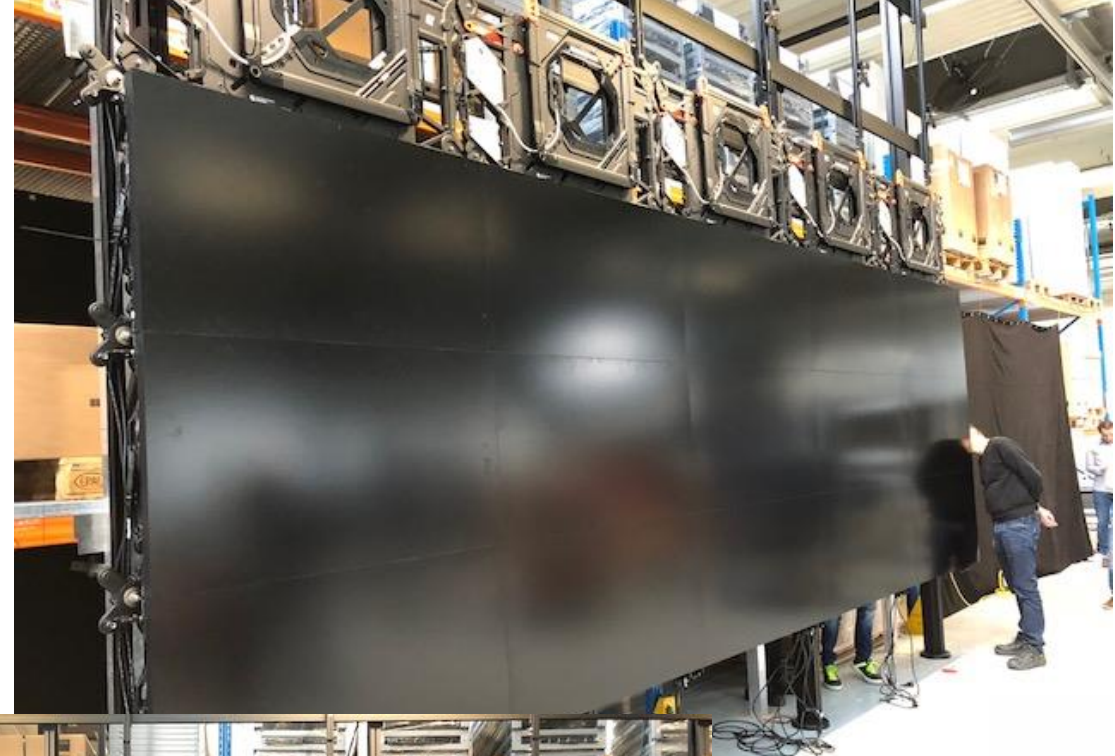
Ceiling to wall*



Floor to wall*

- *Dedicated UniSee® Mount adapter*
- *Easy and quick installation*
- *Modular system*
- *Lightweight aluminium profiles*
- *Integrated Cable management*
- *TÜV-5 certified*

The system is validated!



Product details

PLM 8030

LED vertical profile 3000 mm



- Aluminium
- Black colour

PLS 8001

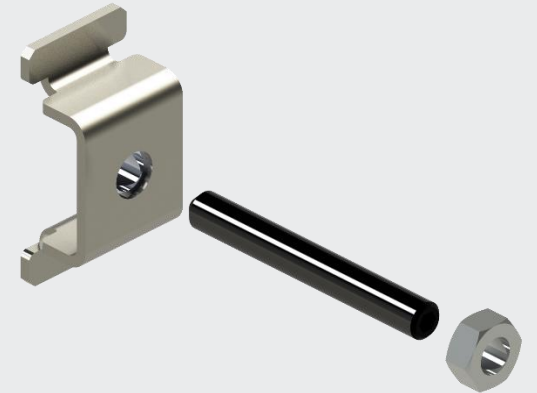
LED vertical profile mounting strips



- Bracket bottom, top + pole coupler

PLA 9136

UniSee mounting adapter,
9 pcs



Product details

PFA 9137

UniSee mounting box



PFA 9138

UniSee Spacer



Product details

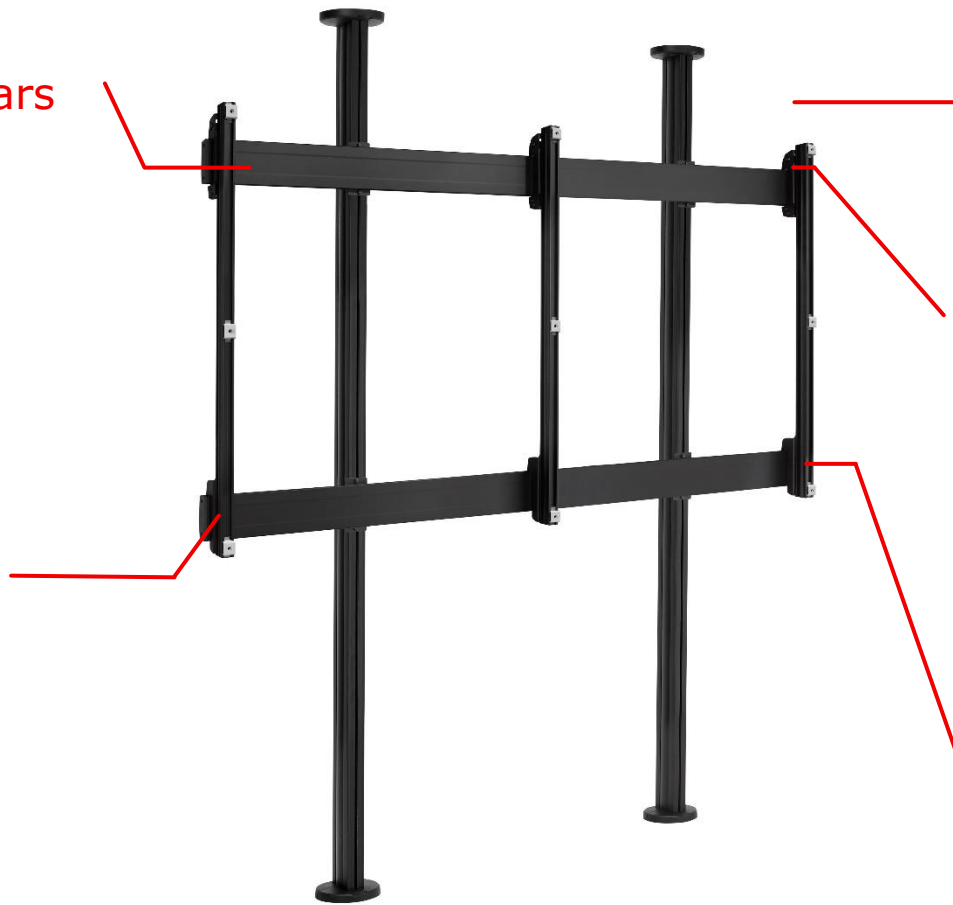


Product details

PFB 34xx
Connect-it interface bars



PLM 8030
Vertical profile



PLS 8001
Mounting strips

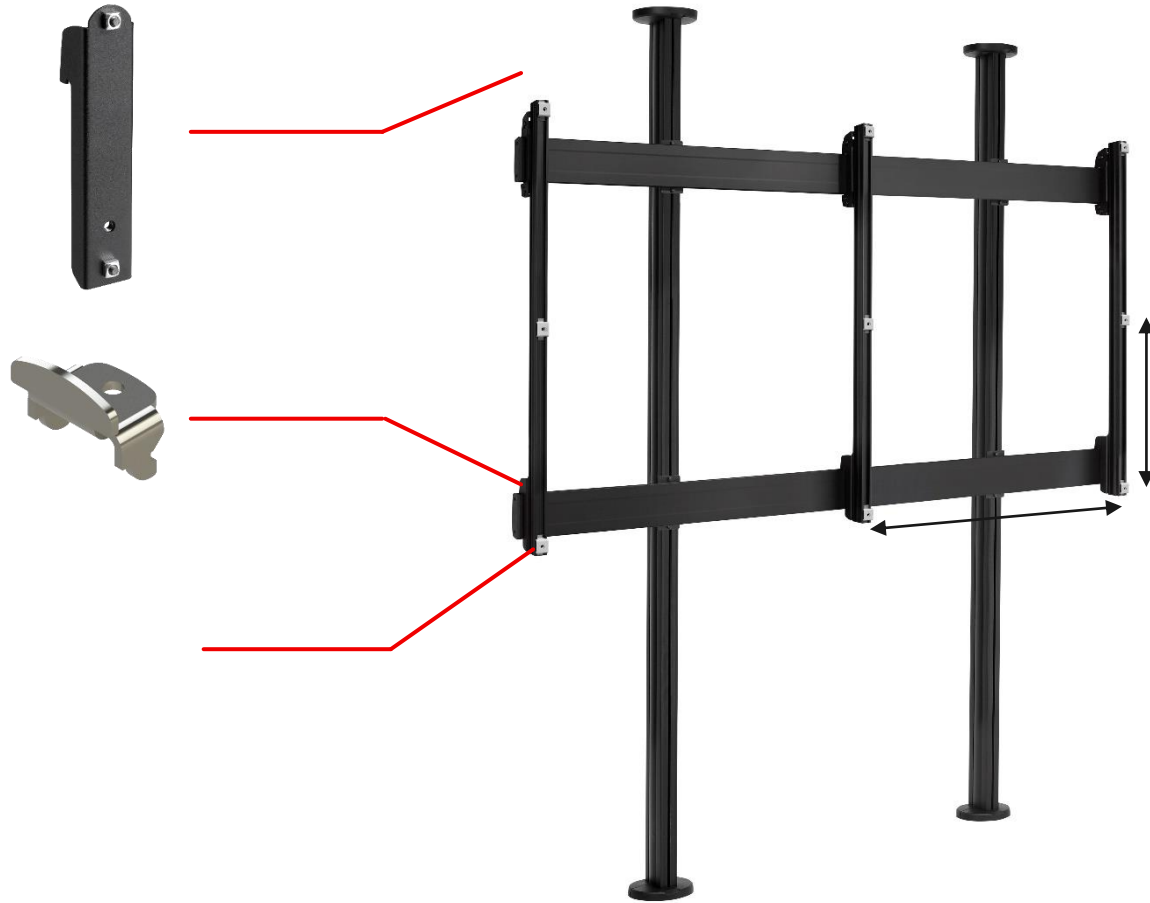


Profile coupler >3000
mm

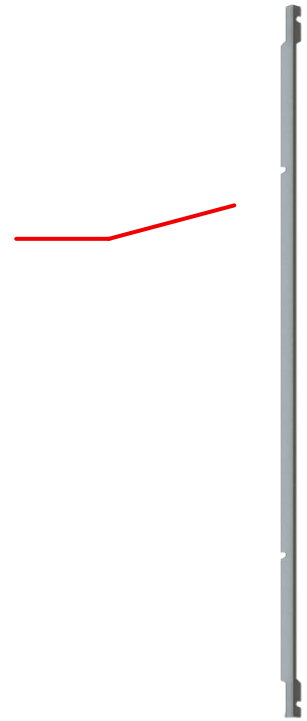


Product details

PLA 9137
UniSee mounting box



PLA 9138
UniSee spacer

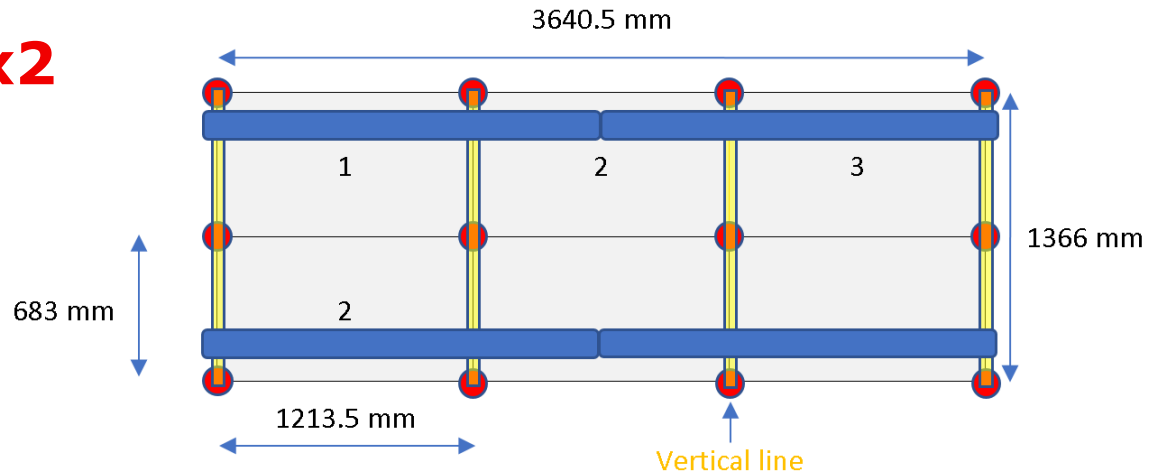


Some Barco UniSee application examples



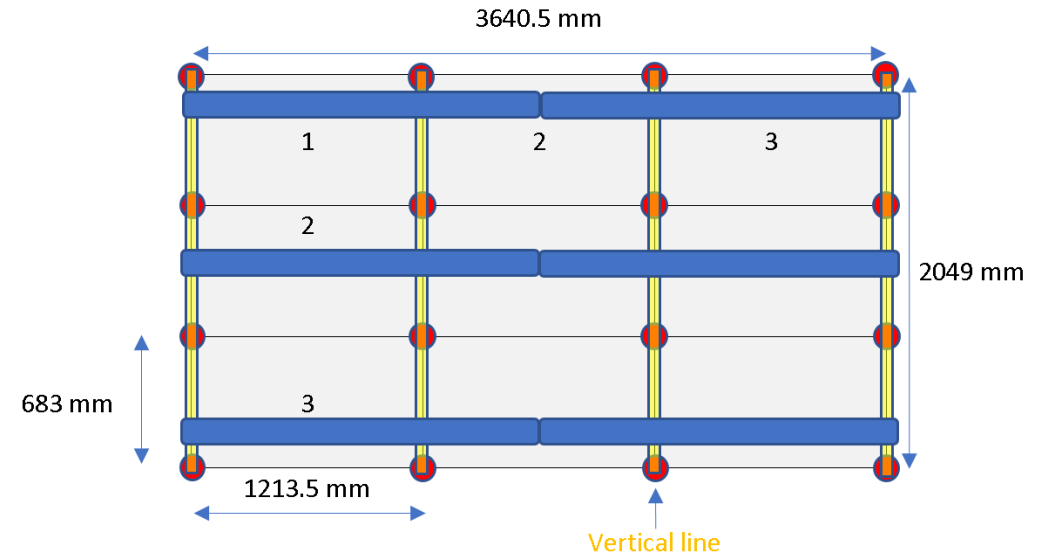
Example 1: Free-standing solution – 3x2

- Configuration 3x2
- Panel dimension 1213.5 x 683 mm



Article name	Product description	Required number	Remark
PFB 3419	Interface bar 1915 mm	4	Needs to be cut. Width of video wall + 70 mm. (3640.5 + 70 mm= 3710.5 mm including end caps.)
PFA 9104	Interface bar coupler	2	-
PLM 8030	Vertical profile 3000 mm	2	One vertical profile on each vertical line. Needs to be cut. Height of video wall + 80 mm (1366 + 80 = 1446 mm. Two extra mounting holes needs to be drilled.
PLS 8001	Vertical profile mounting strips	4	On each vertical line.
PFA 9136	UniSee mounting adapter, 9 pcs	2	See
PFA 9137	UniSee mounting box	4	On each vertical line.
PFA 9138	UniSee spacer	1	Optional 1 per video wall. Can be reused.
PFF 7960	Floor plate	2	-
PUC 2927	Pole 270 cm	2	Chosen poles of 270 cm high. Also possible PUC 2920 (200 cm) or PUC 2933 (330 cm). Depends on the desired height underneath the video wall. Number of poles depends on the size of the video wall.

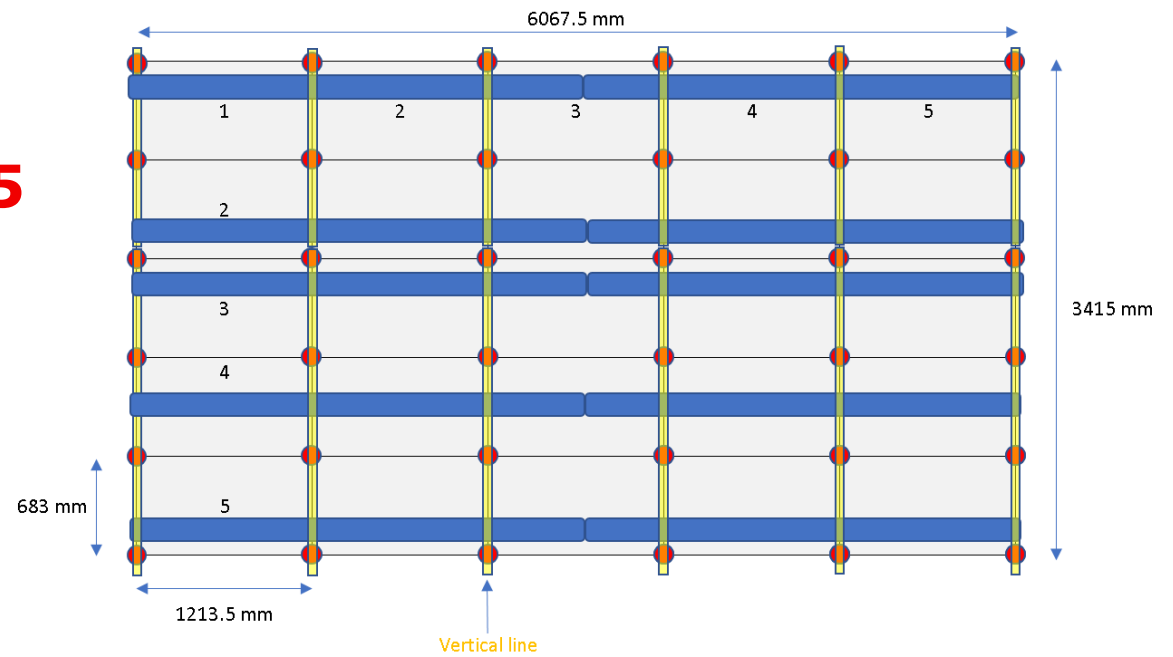
Example 2: Floor to wall solution – 3x3



Article name	Product description	Required number	Remark
PFB 3419	Interface bar 1915 mm	6	Max. 2 screens high per horizontal bar. Needs to be cut. Width of video wall + 70 mm. (3640.5 + 70 mm= 3710.5 mm including end caps.)
PFA 9104	Interface bar coupler	3	-
PLM 8030	Vertical profile 3000 mm	4	A vertical profile on each vertical line. Height of video wall + 80 mm. (2049 + 80 = 2129 mm.
PLS 8001	Vertical profile mounting strips	4	On each vertical line.
PFA 9136	UniSee mounting adapter, 9 pcs	2	See
PFA 9137	UniSee mounting box	4	On each vertical line.
PFA 9138	UniSee spacer	1	Optional 1 per video wall. Can be reused.
PFF 7960	Floor plate	2	-
PUC 2927	Pole 270 cm	2	Chosen poles of 270 cm high. Also possible PUC 2920 (200 cm) or PUC 2933 (330 cm). Depends on the desired height underneath the video wall. Number of poles depends on the size of the video wall.
PFA 9133	Wall support sliding bracket	2	-

Example 3: Floor to ceiling solution – 5x5

- Configuration 5x5
- Floor to ceiling height is 5 meter



Article name	Product description	Required number	Remark
PFB 3433	Interface bar 3315 mm	10	Max. 2 screens high per horizontal bar. Needs to be cut. Width of video wall + 70 mm. (6067.5 + 70 mm = 6137.5 mm including end caps.)
PFA 9104	Interface bar coupler	5	-
PLM 8030	Vertical profile 3000 mm	9	Two vertical profiles on each vertical line. Needs to be cut. When video wall higher than 4 rows then profile needs to be cut and coupled. Now 1 profile for 3 screens and 1 profile for 2 screens. (3 screens is height is 2049 + 40 = 2089 mm and 2 screens height is 1366 + 40 = 1406 mm)
PLS 8001	Vertical profile mounting strips	12	When video wall higher than 4 rows then 1 mounting strip per vertical profile.
PFA 9136	UniSee mounting adapter, 9 pcs	4	See
PFA 9137	UniSee mounting box	6	On each vertical line. Fixating brackets will only be installed on bottom and top. Per vertical line only 1 additional mounting strip required.
PFA 9138	UniSee spacer	1	Optional 1 per video wall. Can be reused.
PFF 7960	Floor plate	5	Number of poles depends on size of video wall.
PUC 2933	Pole 330 cm	5	-
PUC 2920	Pole 200 cm	5	Needs to be cut.
PFA 9131	Pole coupler	5	-
PFA 9132	Ceiling support	5	-

Logistical information

Model	Product description	Colour	Item nr.	EAN code single carton	Weight box (kg)	Dimension single carton (mm)
PLM 8030	PLM 8030 LED vertical profile 3000 mm	Black	7380300	8712285339363	4.91	3085 x 102 x 78
PLS 8001	PLS 8001 LED vertical profile mounting strip	Black	7380010	8712285339387	1.36	340 x 128 x 88
PFA 9136	PFA 9136 UniSee mounting adapter, 9 pcs	Silver	7291364	8712285341281	1.3	340 x 128 x 88
PFA 9137	PFA 8137 UniSee mounting box	Silver	7291374	8712285341304	0.44	340 x 128 x 88
PFA 9138	PFA 8138 UniSee spacer	Silver	7291384	8712285341328	0.51	1275 x 30 x 30

Vogel's distributors

- Select country to find local distributor
- <https://www.vogels.com/nl-be/p/>

Contactgegevens

Select a country



Country	Distributors
AT	Stefani Elektronik Gmbh
AU	Canohm
BE	Lucodex
BG	Vigo Gmbh
CAN	Various installers, serviced directly.
CH	Telion AG
CO	Automa S.A.S.
CY	Modulit Solutions Ltd
CZ	Easyco S.R.O.
DE	Schnepel Gmbh & Co Kg
DK	Aurora Group Denmark AS
EE	Sandman Group Ltd
EG	Giza Systems
ES	Vogel's Products Ibérica, S.L.U.
FI	Aurora Group Denmark AS
FR	Dam S.A.
GB	Turnstone AV
GR	Kinotechniki SA
HK	Lycus Solutions
HR	Dacco D.O.O.
HU	Steelbird Gmbh
IE	Hi Fidelity Marketing
IL	Sirius Electronics Ltd.
IN	Tono Systems
IS	Television Center Ltd
IT	Exhibo S.P.A.
JOR	Various installers, serviced directly.
JP	Osm Co. Ltd

Country	Distributors
KE	Proscene Systems Ltd
KSA	Various installers, serviced directly.
KW	Various installers, serviced directly.
LB	High End Center
LT	Ogmina Ltd
LV	Baltijas Biroju Tehnologijas SIA
MT	Yal Home Electronics
MX	Croma Digital SA de CV
NG	Equipment Hall
NL	Vogel's Professional Nederland
NO	Aurora Group Denmark AS
NZ	Canohm
OM	Various installers, serviced directly.
PA	Automa SA
PE	Logistics
PL	Pro Audio
QA	Various installers, serviced directly.
RO	24 Evoness
SE	Aurora Group Denmark AS
SG	Everfeed Technology Pte Ltd
SI	Technotop
SK	Easyco S.R.O.
TR	Argos Ses, Isik, Uretim ve Destek
UA	Investcom LLC
UAE	TSA General Trading
UG	Various installers, serviced directly.
US	Premier Mounts
ZA	Radionic Distributors(Pt4)Ltd