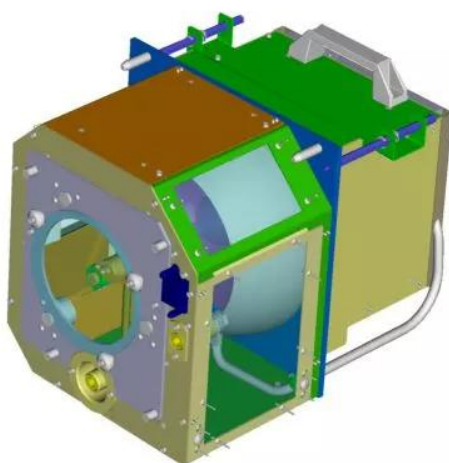


Universal lamphouse III 4kW

Software update required



Login to myBarco to download the software update for this lamp.

[Download now](#)